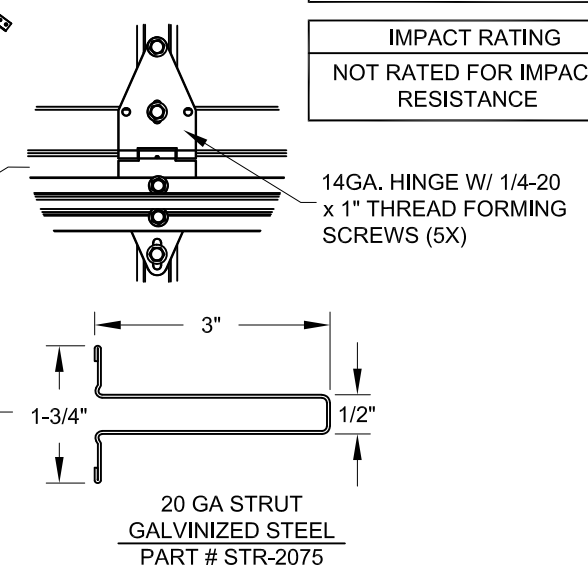
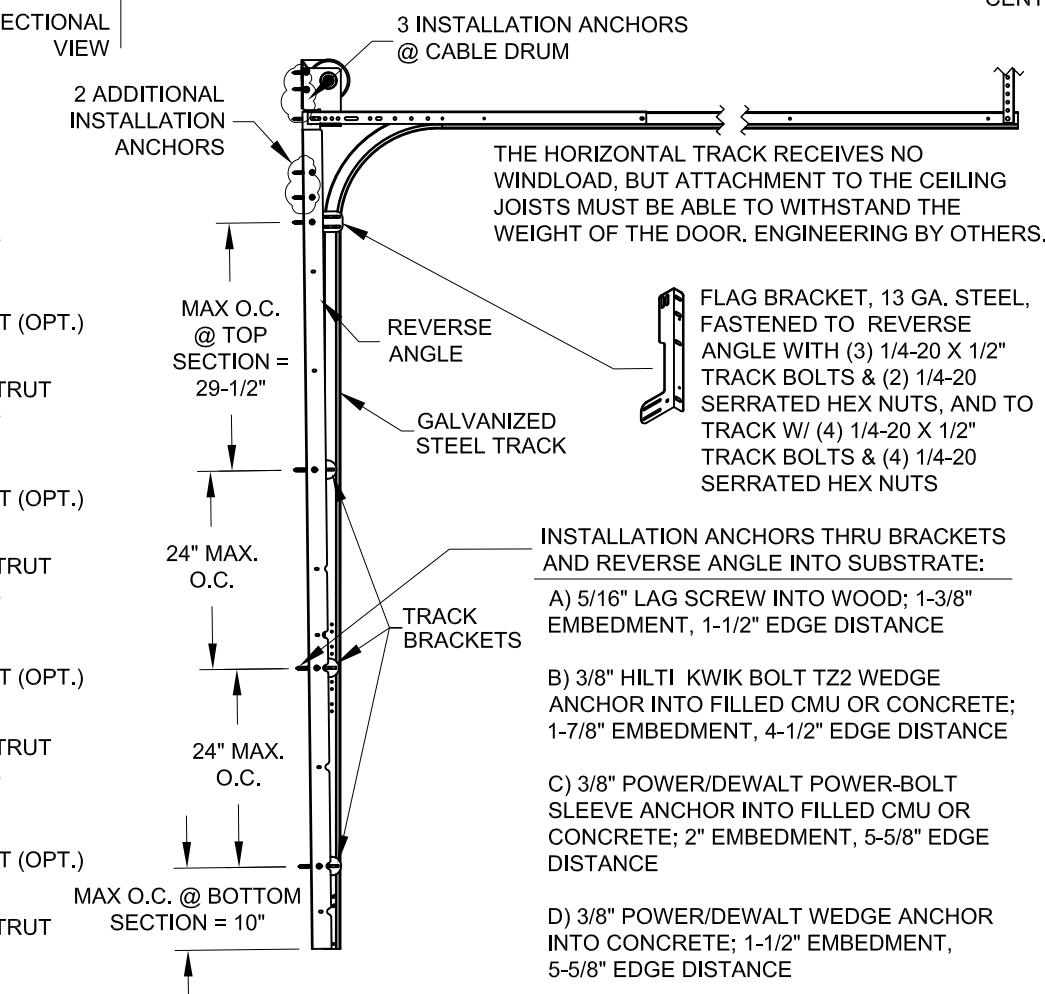
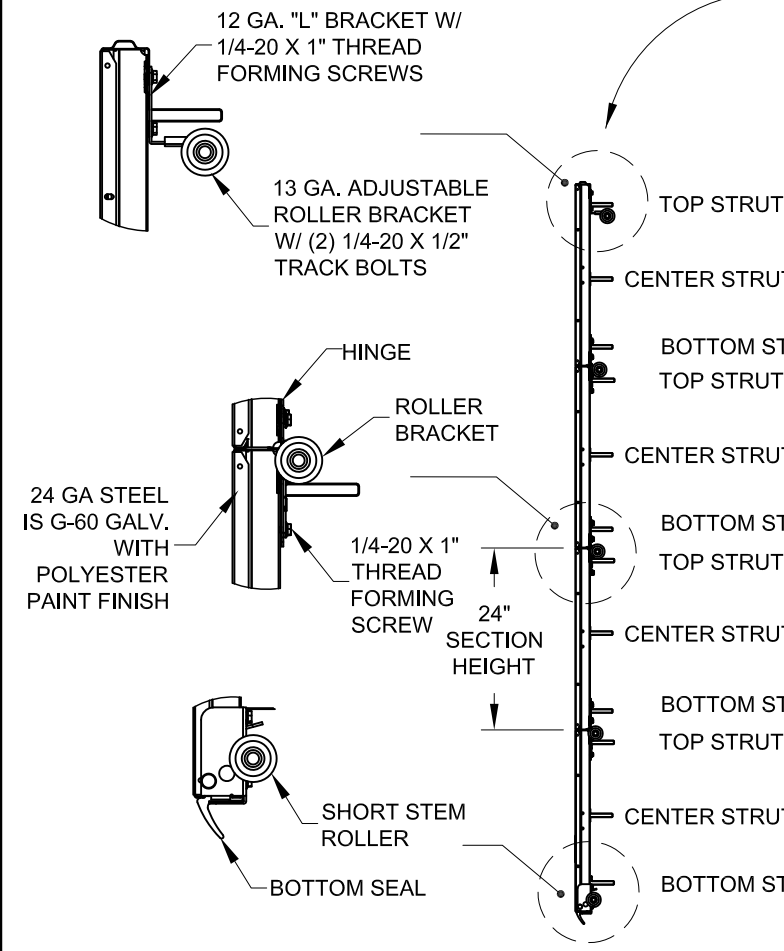
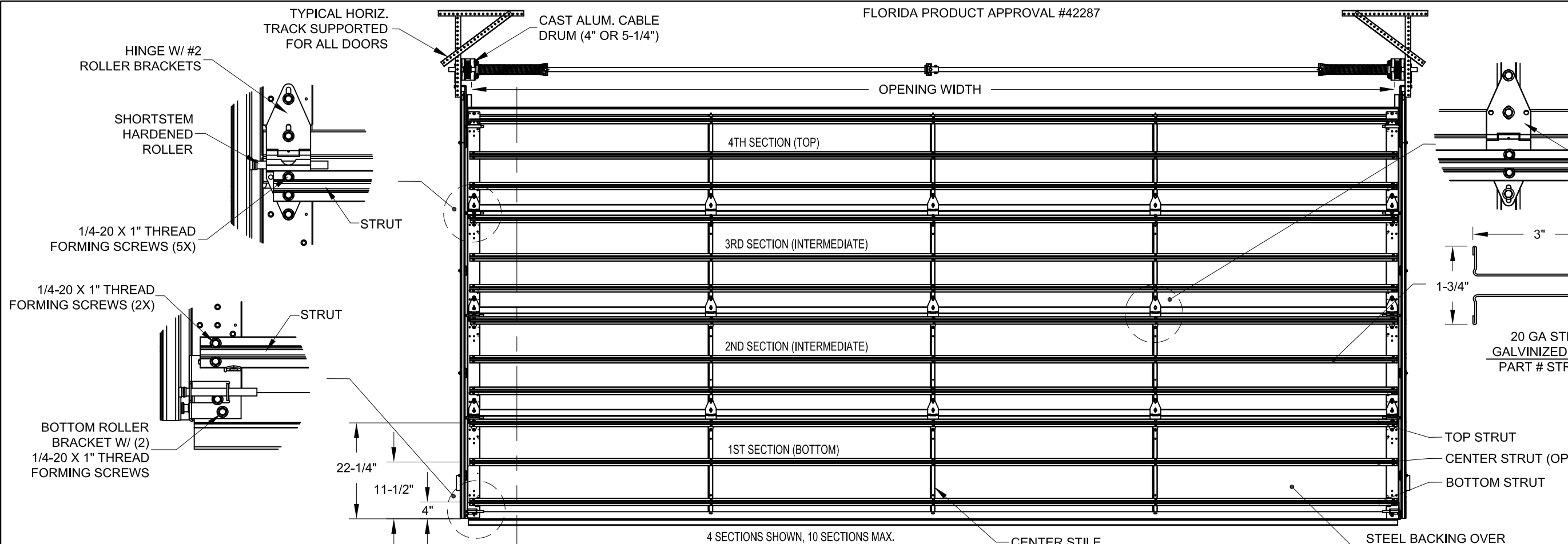


DESIGN PRESSURE RATING  
SEE TABLE BELOW

IMPACT RATING  
NOT RATED FOR IMPACT RESISTANCE



**GENERAL NOTES: STEEL, SECTIONAL GARAGE DOOR**

- 1) THIS PRODUCT HAS BEEN TESTED TO ANSI/DASMA 108-17 & ASTM E330-14 TO COMPLY WITH THE REQUIREMENTS OF THE 2020 & 2023 FLORIDA BUILDING CODE.
- 2) ANCHOR EMBEDMENT TO BASE MATERIAL SHALL BE BEYOND WALL DRESSING OR STUCCO. USE ANCHORS OF SUFFICIENT LENGTH TO ACHIEVE THE EMBEDMENT SHOWN.
- 3) ONE ANCHOR PER SECTION PER SIDE (AS SHOWN FOR 4 SECTIONS). ADDITIONALLY, 3 ANCHORS REQUIRED AT CABLE DRUM AND 2 THROUGH THE TOP OF FLAG BRACKET, SEE FIGURE.
- 4) DOCUMENT APPLIES TO INSULATED SECTIONS ONLY. ALL SECTION PATTERNS ARE APPLICABLE.

Design Pressure, psf				
Opening Width	Section Width	Maximum Section Height / Maximum # of Sections	Design Pressure with Top & Bottom Struts	Design Pressure with Top, Center & Bottom Struts
96"	98"	24" / 10	+36.8/-36.8	+36.8/-50.0
108"	110"	24" / 10	+32.2/-32.2	+32.2/-50.0
120"	122"	24" / 10	+28.6/-28.6	+28.6/-47.7
144"	146"	24" / 10	+23.4/-23.4	+23.4/-39.0
168"	170"	24" / 10	+19.8/-19.8	+19.8/-33.0
192"	194"	24" / 10	+17.2/-17.2	+17.2/-28.6
216"	218"	24" / 10	+15.0/-15.0	+15.0/-25.0

FOR SIZES NOT SHOWN, ROUND UP TO THE NEXT AVAILABLE WIDTH DIMENSION, INTERPOLATION BETWEEN WIDTHS ALLOWED.

PREPARED BY A. LYNN MILLER  
1070 TECHNOLOGY DRIVE  
N. VENICE, FL 34275  
(941) 480-1600  
REGISTRATION #29296

DATE: 08/02/23  
DRAWN BY: JENS ROSOWSKI  
NO. DWG: 1 OF 1  
SHEET: N/A

STEEL SECTIONAL GARAGE DOOR  
GENERAL INSTALLATION  
GD-FPA-1

**MARTIN DOOR**

2828 SOUTH 900 WEST  
SALT LAKE CITY, UT 84119  
(385) 853-5898

ANTHONY LYNN MILLER  
LICENSE  
No. 58705  
08/02/23  
STATE OF FLORIDA  
PROFESSIONAL ENGINEER  
A. LYNN MILLER, P.E.  
P.E.# 58705